

# **Assembly and Disassembly Pop-up Display Walls**

## **Proper Care & Maintenance**

- Store display upright at room temperature
- Do not subject to extreme heat or cold
- Do not leave display in direct sunlight or trunk of auto
- Return display to room temperature before handling
- Avoid extreme bending of Panels or permanent creasing will occur
- Use fabric brush to remove dust from Panels

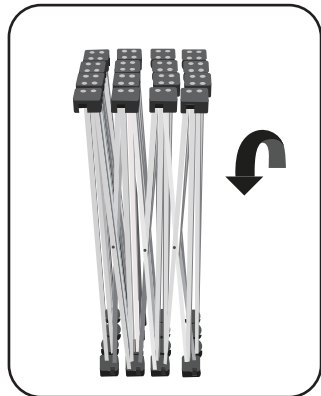
## **Setting up your display**

### **REMEMBER:**

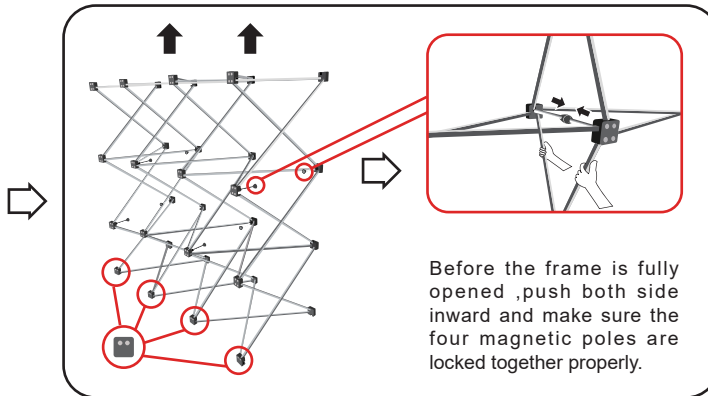
Read the complete instructions about your product before assembling. If you need additional assistance or have any questions, please contact your supplier.

# POP-up Display Wall Assembly Guide

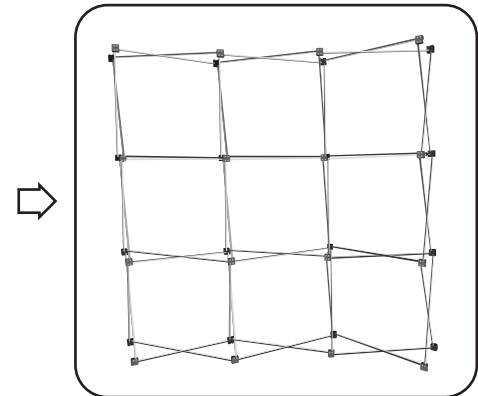
**IMPORTANT:** Product Fragile - Handle with Care



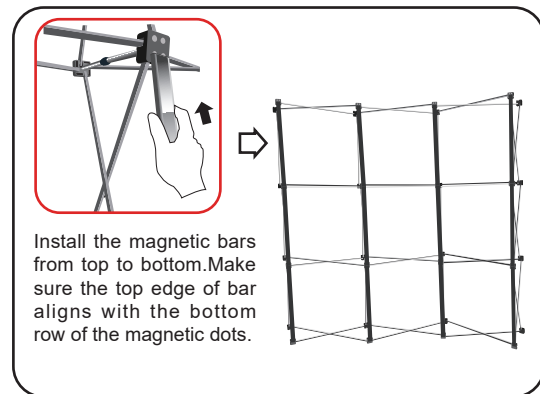
1. Ensure the ground is completely flat and free of debris, as a non-flat ground will cause the frame to misalign and panel will not hang straight.



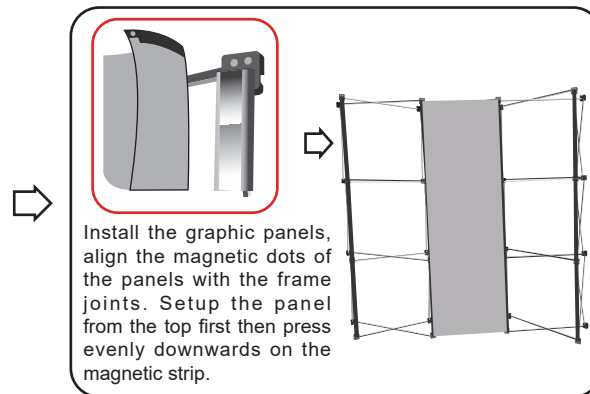
2. Grab two of the poles and gently pull the frame upward.



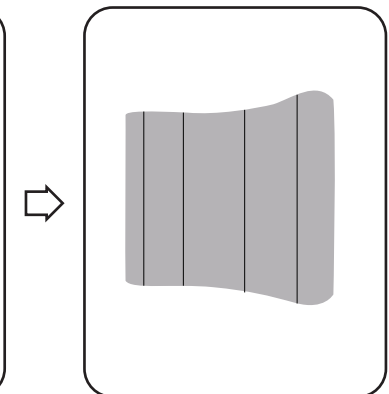
3. A full opened and stabilized frame.



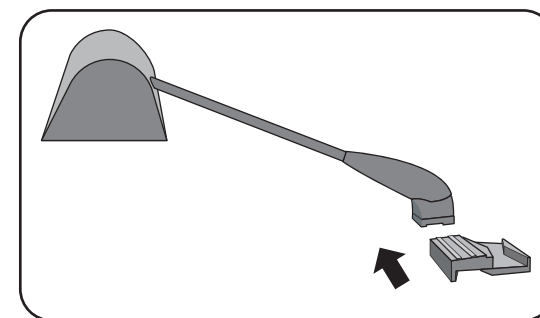
4. Install all magnetic bars onto the frame.



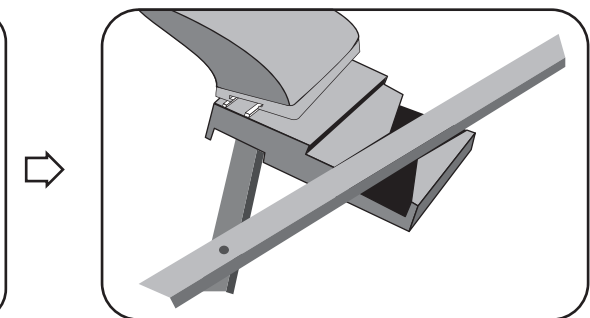
5. When install the graphic panels, start from the middle to avoid any alignment problems. Ensure the panel's magnetic strips are firmly pressed on the frame while attaching them.



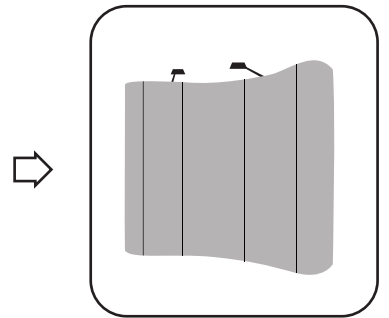
6. Install all graphic panels as instructed.



7. Slide the lamp base gently into the lamp slot.



8. Slide the two spot lights on the top cross joint of the frame.



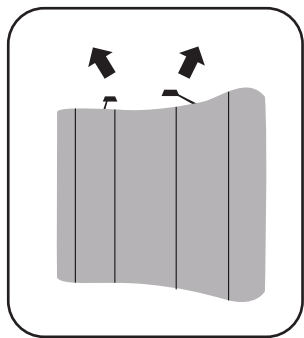
9. Complete

**IMPORTANT:** Ensure all panels are rolled with the image side facing out. If rolls with the image side in this may damage the lamination.

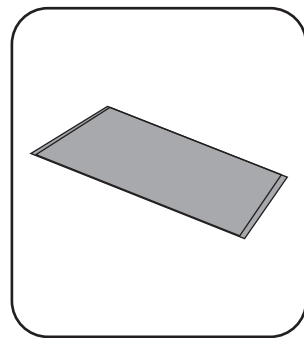
# POP-up Display Wall Disassembly Guide



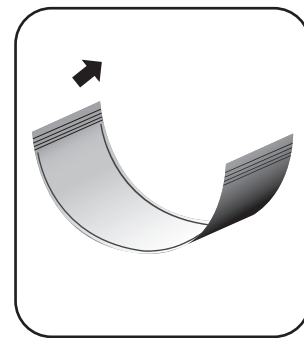
**IMPORTANT:** Product Fragile - Handle with Care



1. Gently remove all panels by pulling up from bottom to top. Then gently remove two spot lights.



2. Lay the panels flat and all panels should have a graphic facing down.



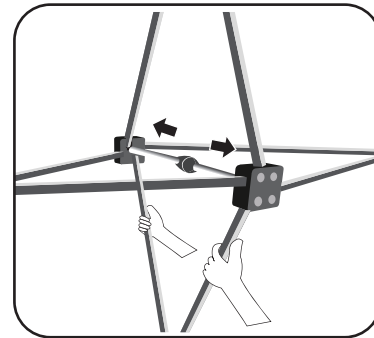
3. Grab the bottom panel and gently roll all panels together.



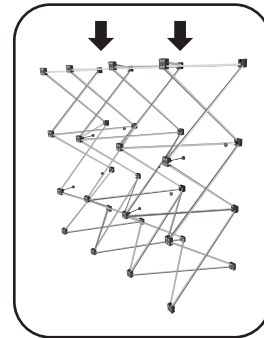
4. Do not roll the panels too tight to avoid any damages on the surface. Ensure all panels are rolled with image side facing out.



5. Take out all the magnetic bars.



6. Pull the frame gently to disconnect the magnetic joints.



7. Slowly push down the frame.



8. Complete

**IMPORTANT:** Ensure all panels are rolled with the image side facing out. If rolls with the image side in this may damage the lamination.